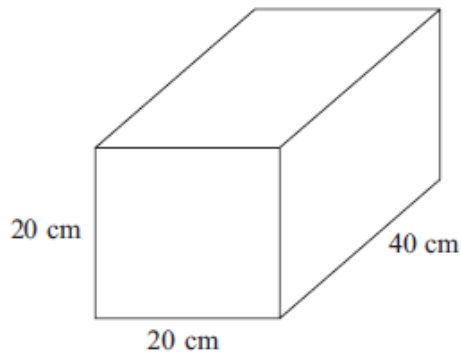
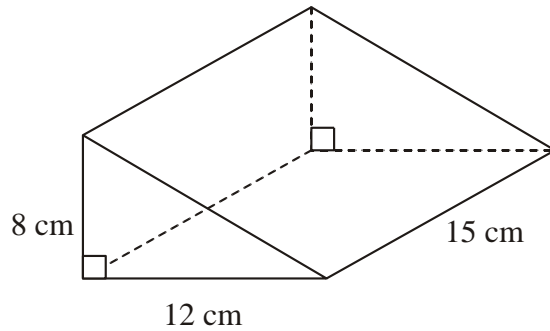


Homework – Due Wednesday 10<sup>th</sup> January

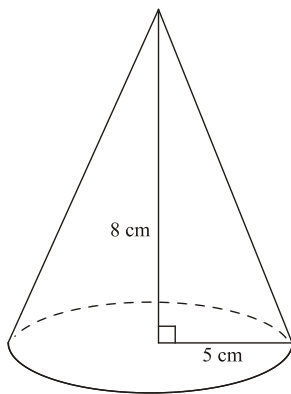
Here is a cuboid.  
Work out the volume of the cuboid.



Find the volume of this triangular prism.

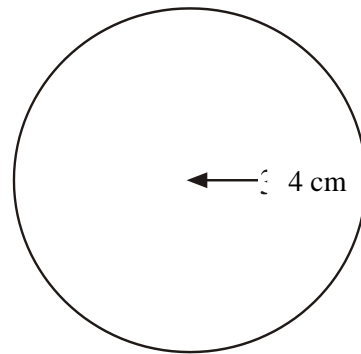


Calculate the volume of the cone.  
Give your answer correct to 3 s.f.

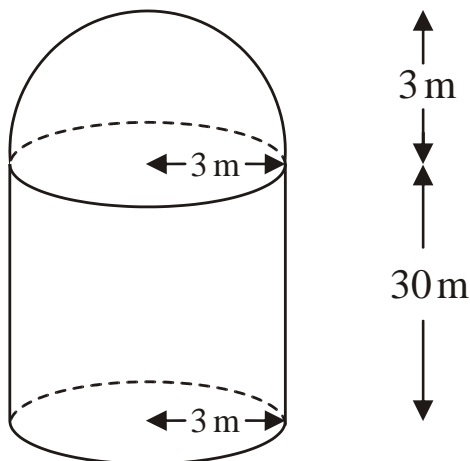


A sphere has a radius of 4 cm.

Calculate the volume of the sphere.  
Give your answer correct to 3 s.f.



Calculate the total volume of the solid.  
Give your answer correct to 3 s.f..



Sophie has a fish pond in the shape of a prism.

Work out the volume of the pond.

