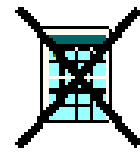


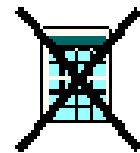
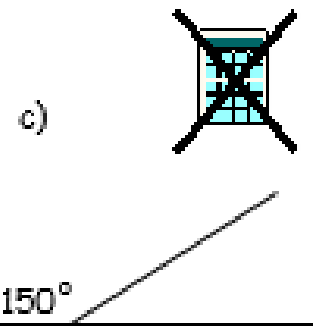
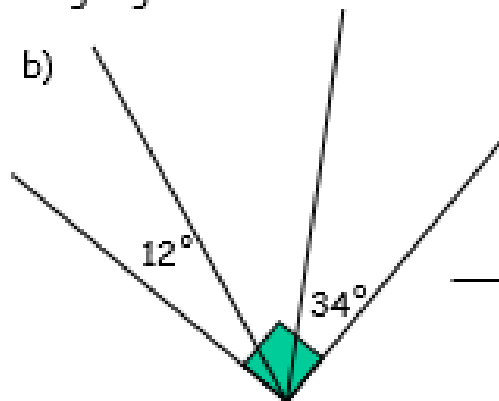
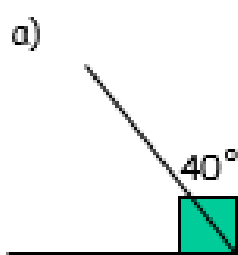
S1 (M) Maths Homework 8

1) Using estimation, sketch the following angles.

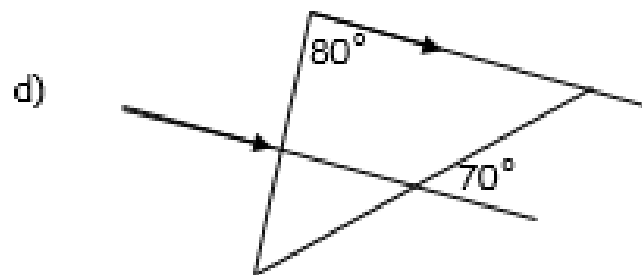
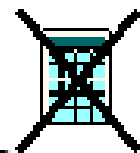
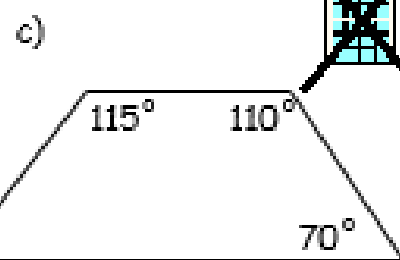
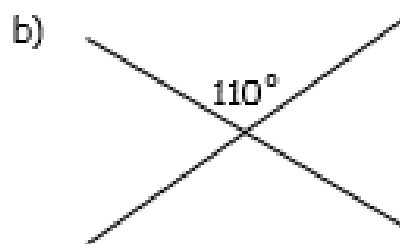
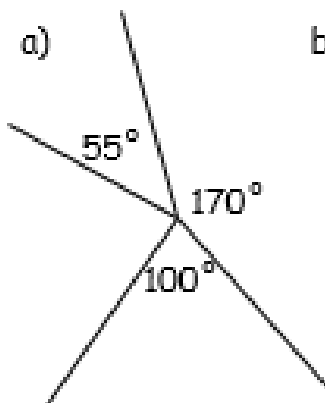
- a) 40° b) 80° c) 130° d) 300° e) 210° f) 350°



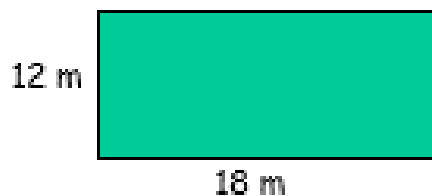
2) Calculate the missing angle.



3) Copy each diagram and calculate all the missing angles.



4) Make a scale drawing of this car park using the scale $1\text{cm} : 3\text{m}$



5) Estimate the bearings of each letter.

