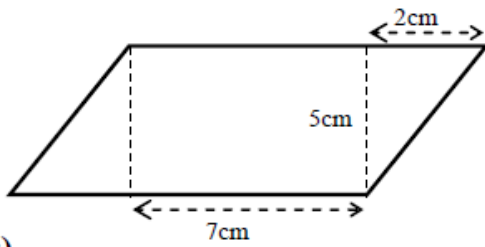


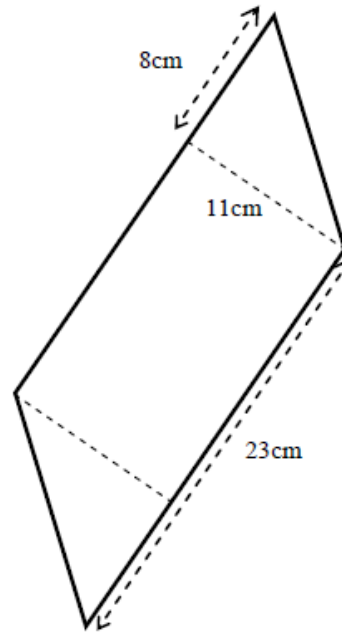
# Area of Quadrilaterals S1-S3, National 4

1. Calculate the area of these parallelograms by splitting them into triangles and rectangles:

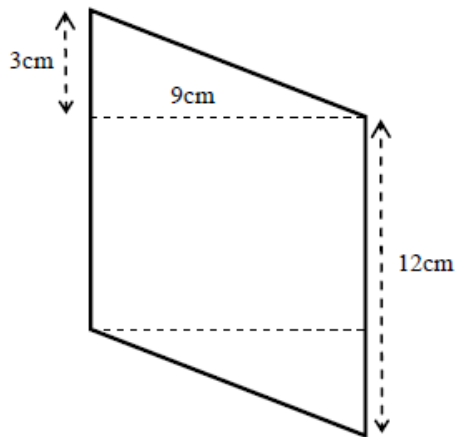
(a)



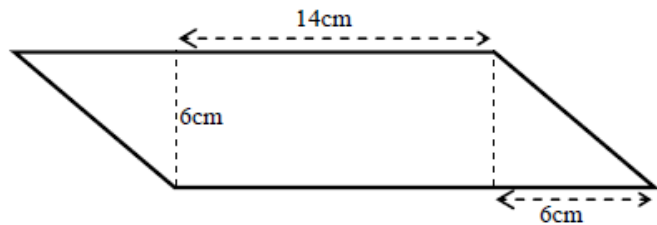
(b)



(c)

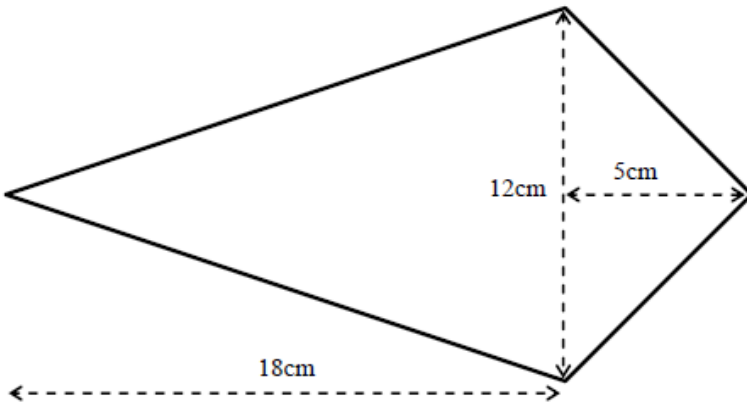


(d)

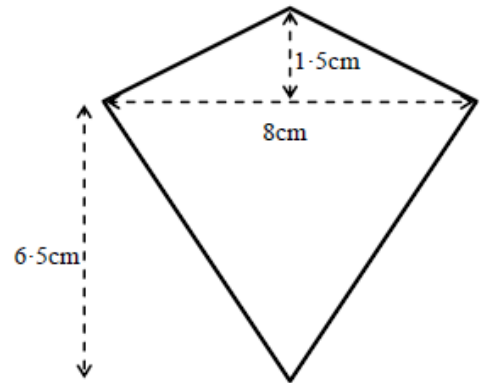


2. Calculate the area of each kite below:

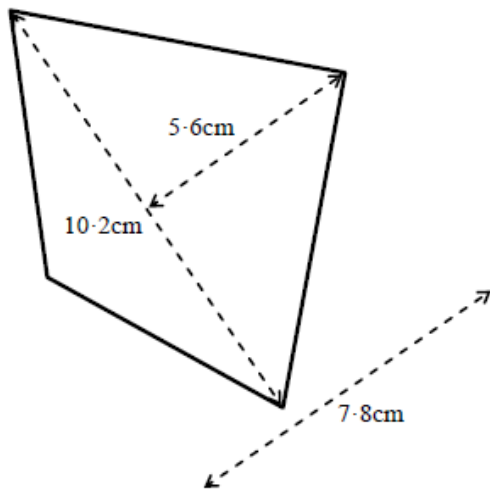
(a)



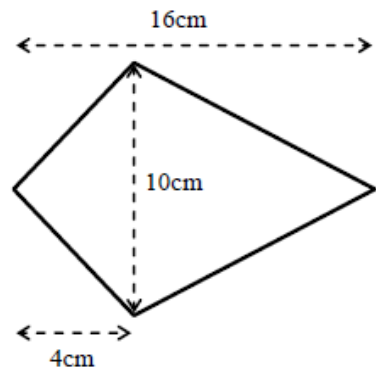
(b)



(c)



(d)



3. Calculate the area of each trapezium by dividing them into rectangles and triangles:

